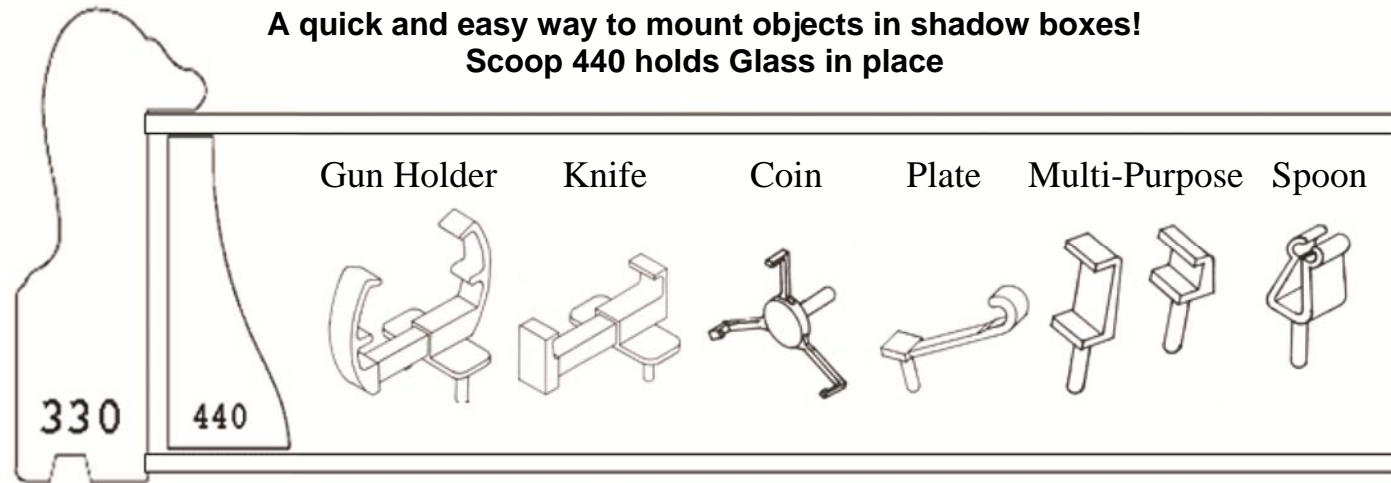




1100 SE Rice Rd
 Topeka, Kansas 66607
 USA
 www.mighty-mounts.com
 1-800-255-0535
 785-234-3219

Easy to build Object Framing was written by Don Bowen and the Mighty Mounts were designed by
Don Bowen

A quick and easy way to mount objects in shadow boxes!
 Scoop 440 holds Glass in place



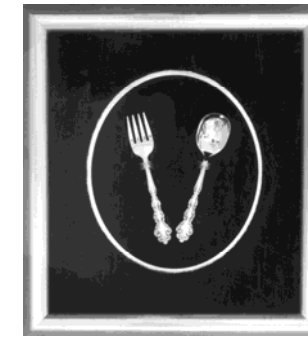
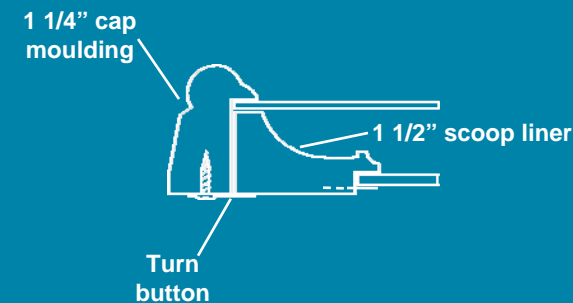
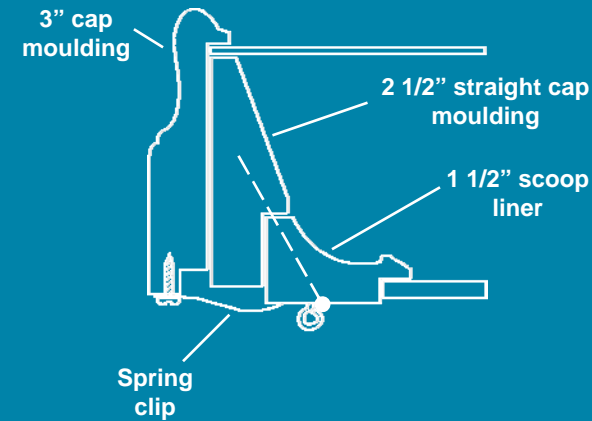
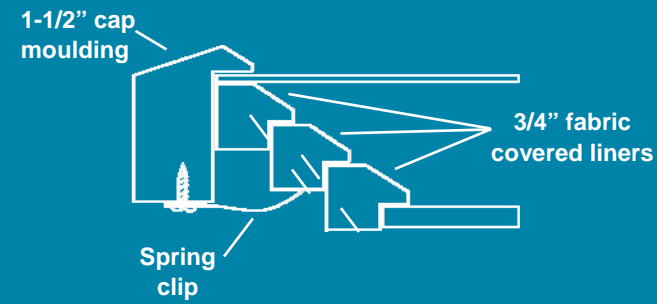
Background sets on 440 and its ready to point in and seal.

Shadow Box those Collectable Objects the easy way with Mighty Mounts!

330 Shadow Box gives a 1 1/2" clearance inside and comes finished in Walnut or Rosewood with or without Gold Lip. The 440 is a scoop liner that is finished to match the frame, and holds the glass in place with room at the back for 3/16" or 3X board and mat board that you have mounted the object on. The shadow box is expandable with 1" extensions.

Shadow Box Mouldings # 330 is Solid American Hardwood and Environmentally Safe Finish

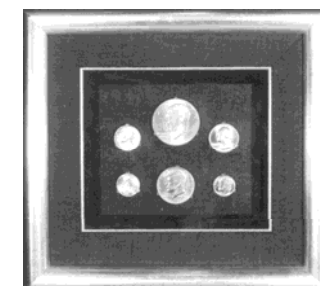
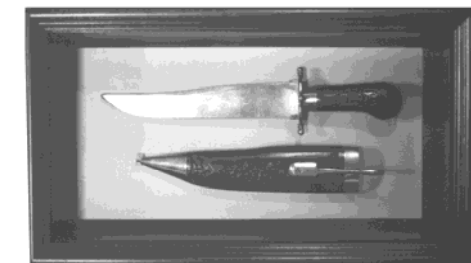
Made in USA



Easy to Build

OBJECT FRAMING

REVISED EDITION
 2012



By Don Bowen
 R & D Framing Co.
 Makers of
 MIGHTY MOUNTS

All Rights Reserved

Inside back cover BLANK

No part of this publication may be reproduced, stored in a retrieval system, or transmitted in any form or by any means, electronic, mechanical, photocopying, recording or otherwise, or used for commercial purposes without the prior expressed written permission of the copyright owner.

Copyrighted @1977
Revised 1979, 1999, 2002, 2012
R & D Framing Co.

Published by Mighty Mounts Company
Bob Victor
1100 SE Rice Rd
Topeka, Kansas 66607
1-800-255-0535
www.mighty-mounts.com